






Superior handling &
storage solutions

DOLAV TYPE 800



-  One-piece injection moulded
-  Heavy duty box for rough applications
-  Perfect for customised solutions



Strong. Long Lasting. Reliable.

DOLAV® Type 800

Dolav's Type 800 box pallet, is strong and highly durable making it ideal for demanding applications. This strong box pallet includes integral runners, allowing a high level of hygiene. The designed strength of Type 800 boxes make them exceptionally suitable for recycling of expired food products, batteries and fluorescent bulbs. This UN certified box is produced in different sizes and lengths according to customer's request.



- Rounded interior radius
- Easily cleaned
- Sturdy and durable
- Solid, perforated or combination

Features & Certifications

- Certified for UN use (Sweden, France & Israel)
- Fully recyclable
- Customised to your needs - height, length, width and accessories available
- One piece injected mould
- Large colour range
- Easy to repair, if damaged



Local stock available

Looking for fast delivery? For unique colours? For box pallet that will serve you for many years? Dolav has many warehouses in Europe from where we can provide you with the best quality boxes, with local service and support.

Customised Products

More options available - please ask for different dimensions and accessories.



Special height SH-440



Special height SH-540



Special length SL-600



Special height SH-1000



Special length SL-1905



Special length SL-2160



wheels



stackable wheels



upper door

Available Options

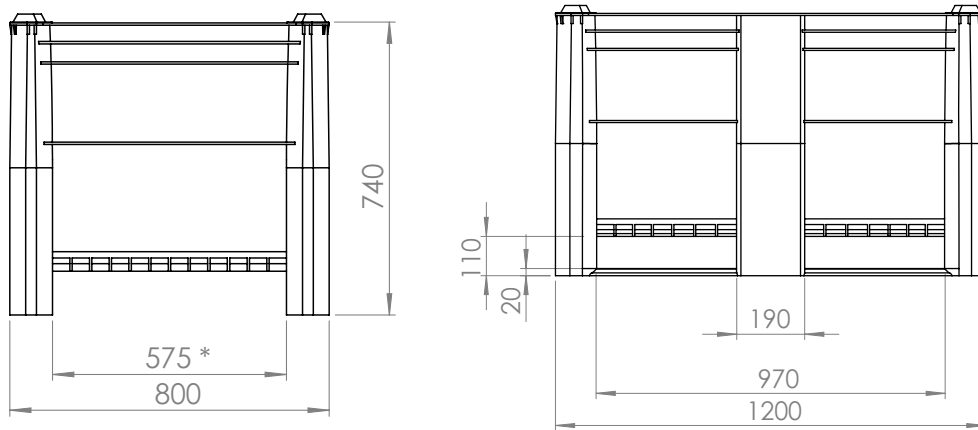
- AM**
Antimicrobial Additive
- DM**
Detectable Material
- RFID**
Smarter and efficient stock management
- Tracking Systems**
GPS tracking unit for global tracking
- ESD**
Anti-static surface resistivity

- Hot stamped logo
- Sequential numbering
- Embossed logo

Logo options

Your company name, logo and sequential numbers can be hot stamped onto the Dolav for easy identification.

Technical Data



Compatible with:

- Type 800 lid
- Type 800 stackable lid
- DVF lid

	Type 800 Solid	Type 800 Perforated
External dimensions (LxWxH) mm	1200x800x740	1200x800x740
Internal dimensions (LxWxH) mm	1120x720x600	1120x720x600
Volume (liter)	500	500
Tare weight (kg)	32	31.5
Max load (kg)	700	700
Max stack load (kg)	4000	4000
Raw material	HDPE Structural Foam	HDPE Structural Foam
Quantity in container (units) 20ft	39	39
Quantity in container (units) 40'hc	90	90

- Due to deviations in the manufacturing process, tare weight may vary by $\pm 1.5\%$.
- Dimensions may vary by $\pm 1\%$.
- Data refers to temperature of 23°C.
- Maximum stacking load refers to vertical loading when the load per single box pallet does not exceed 700 kg.
- Maximum load refers to stand alone boxes.
- Also available with combination: solid walls and perforated base or perforated walls and solid base - minimum order quantity applies.
- Available with 6 feet - for this option please contact us.

DOLAV®

Tried. Trusted. Best.



Dolav Plastic Products, Kibbutz Dvir M.P. HaNegev 8533000

☎ 972-72-2450700 📠 972-8-9918710 ✉ dolav@dolav.com 🌐 www.dolav.com

Worldwide offices: Belgium, China, France, Germany, Hong Kong, Ireland, Israel, Italy, Russia, Spain, The Netherlands, UK, USA

